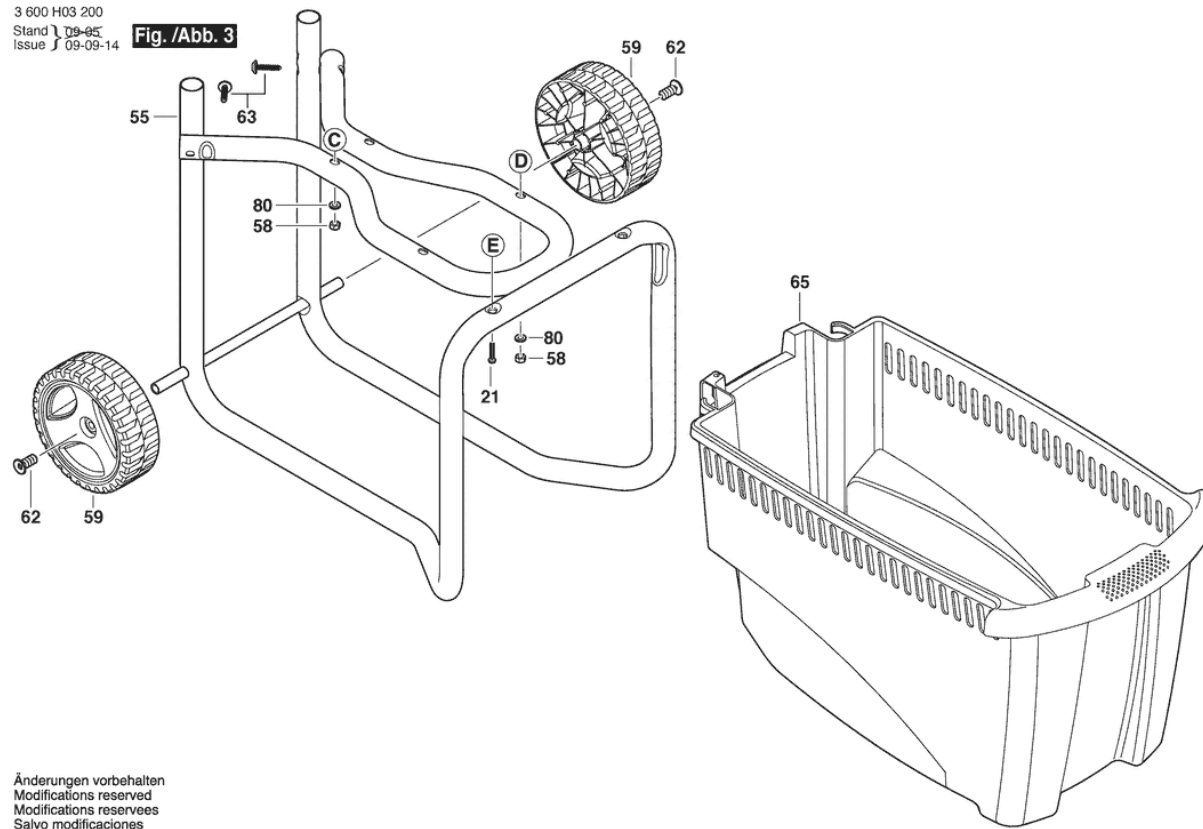






Illustration - Type - E



## Spare parts list

Item	Part Number	Description	Illustration
5	2 609 003 149	Cable Set EU	1
5/3	2 609 003 517	Switch Rocker	1
9	2 609 003 153	Manufacturer's nameplate AXT 25 TC	1
21	2 603 490 024	Torx Oval-Head Screw 4X25	1
22	2 609 002 554	Housing	1
23	2 609 002 555	Upper Housing	1
24	2 609 004 513	Rear Housing Section	1
35	2 609 002 804	Knob	1
36	2 609 002 805	Terminal Lug	1
37	2 609 002 806	Bolt	1
38	2 609 003 539	Adjusting Screw	1
39	2 609 002 754	Ring	1
40	2 609 003 140	Holder	1
41	2 609 003 399	Cap	1
42	2 609 003 400	Cap	1
43	2 609 003 401	Cap	1
44	2 609 002 755	Rubber Pad	1
45	2 609 003 076	Cover Plate	1
47	2 609 004 519	Socket housing	1
49	2 609 003 540	Reed switch	1
50	2 609 004 603	Rocker Rod	1
51	2 609 002 846	Bolt	1
52	2 609 002 847	Spring	1
53	2 609 002 793	Slotted Spring Pin	1
60	2 603 490 027	Torx Oval-Head Screw 4X40	1
61	2 916 011 892	Plain Washer DIN 9021-B 4,3-ST	1
66	2 609 002 752	Pusher	1
68	2 609 003 622	Handle	1
69	2 609 002 685	Company Logo AXT 25 D	1
70	2 609 002 562	Hopper	1
71	2 609 002 564	Chute	1
72	2 609 002 799	Magnet	1
77	2 609 003 683	Compression Spring	1
804	1 600 A00 H67	Electronic Assembly	1
808	2 609 003 157	Nameplate	1

## Spare parts list

Item	Part Number	Description	Illustration
2/1/10	2 609 003 830	Screw	2
2/1/13	2 609 004 198	Spring retaining ring	2
2/1/14	2 609 003 833	Housing	2
2/1/15	2 609 003 834	Insert	2
2/1/17	2 609 003 836	Flanged Bearing	2
2/1/19	2 609 003 838	Seal Ring	2
2/1/22	2 609 003 841	Porous Bearing	2
2/1/23	2 609 003 842	Planet Gear	2
2/1/24	2 609 003 843	Washer	2
2/1/25	2 609 003 844	Drive Plate	2
2/1/26	2 609 003 845	Bolt	2
2/1/27	2 609 003 846	Planetary-Gear Carrier	2
2/1/28	2 609 003 847	Pinion	2
2/1/29	2 609 003 848	Needle-Roller Bearing	2
2/1/3	2 609 003 824	Screw	2
2/1/30	2 609 003 849	Planet Gear	2
2/1/31	2 609 003 850	Spring retaining ring	2
2/1/36	2 609 003 854	Fan	2
2/1/37	2 609 003 855	Spring retaining ring	2
2/1/38	2 609 002 792	Clamping Piece	2
2/1/39	2 609 007 667	Motor Capacitor	2
2/1/4	2 609 003 825	Spring Washer	2
2/1/73	2 609 002 763	turbine cutter	2
2/1/78	2 910 400 244	Hex Socket Head Cap Screw	2
2/1/8	2 609 003 828	Connecting Plate	2
2/1/81	2 609 003 315	Locking washer	2
2/1/9	2 609 003 829	Plate	2
2/2/6	2 609 004 197	O-Ring	2
5/2	2 609 003 145	Switch	2
25	2 609 002 557	Flap	2
26	2 609 003 144	Spring	2
27	2 609 002 795	Bolt	2
29	2 609 002 791	Bolt	2
31	2 916 640 005	Spring retaining ring DIN 471-8X0,8 FST	2

## Spare parts list

Item	Part Number	Description	Illustration
32	2 609 004 515	Knob	2
46	2 603 413 035	Oval-Head Screw M4X8	2
48	2 609 005 130	Relay	2
54	1 600 A02 0TT	Slotted Spring Pin	2
56	2 609 003 267	Holding Pin	2
57	2 609 003 268	Holding Pin	2
76	2 916 030 006	Toothed lock washer DIN 6797-A4,3-FST	2
801	2 609 004 913	bearing plate	2
802	2 609 004 911	Motor	2
805	2 609 004 916	Guide-Plate	2
807	2 609 003 827	Screw	2
816	2 609 004 989	Split Pin	2
820	2 609 006 274	Shaft	2
55	2 609 004 243	Supporting Frame	3
58	2 609 003 551	Nut	3
59	2 609 003 159	Wheel	3
62	F 016 L64 669	Retaining Pin	3
63	2 609 003 552	Thread-forming tap. Screw 4,8X22	3
65	2 609 006 904	Catcher Container	3
80	2 610 386 712	Washer DIN 9021-6,4X18X1,6	3